

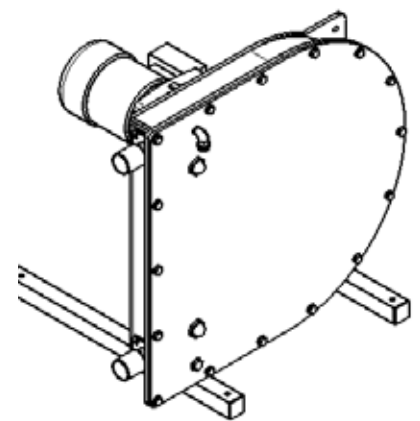
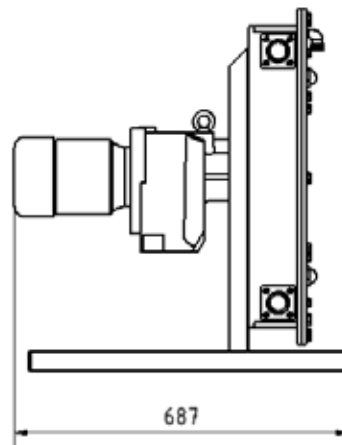
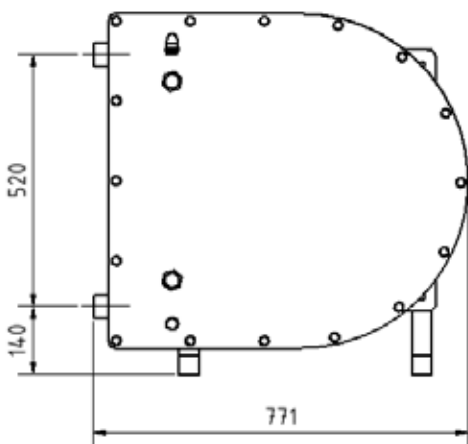
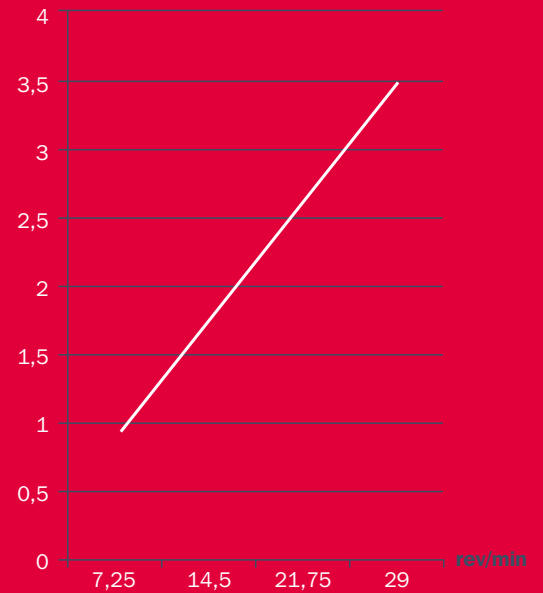
LSM40

TECHNICAL DATA SHEET

TECHNICAL DATA:

- **Nominal flowrate:** 3,5 m³/h
- **Nominal pressure:** 5 bar (0,75 kW motor)
- **Max. Pressure:** 10 bar
- **Connection:** MALE 1,5" BSP or DN40 SS Flange PN10 (DIN EN 1092-1)
- **Weight:** Approx. 120 kg / 265 lbs
- Helical gearbox and motor is selected for the specific pressure and flowrate needed.
- Optional with Variable Frequency Drive.
- High vacuum possible, suction lifts up to 8m. (Above 4m lifting height, vacuum is applied to the pump housing to improve efficiency.)
- Low friction rollers
- Hot Dip Galvanised

Q [m³/h] Pump Flowrate



LSM40

TECHNICAL DATA SHEET



PUMP APPLICATIONS:

- Sewage Treatment plants
- Combinet heat and power plants
- Fishing industry
- Meat plants
- Chemical industry
- Food industry
- Off-Shore
- Mining

PUMP ADVANTAGES:

- Low energy Consumption
- High pressure
- Self priming
- Tolerates dry-run
- Passes large objects
- Low maintenance

LSM • PUMPER

Sigenevej 7 | DK-9760 Vraa
Tel. +45 98 98 19 00 | Fax +45 98 98 24 40
www.lsm.dk

DEALER: